



QuARTz by ACO Specification Sheet

ACO Polycrete Pty Ltd

ACN 050 102 942
ABN 65 050 102 942
134 - 140 Old Bathurst Road,
Emu Plains NSW 2750
Tel: +61 2 4747 4000
Fax: +61 2 4747 4040
e: info@quartzbyaco.com.au

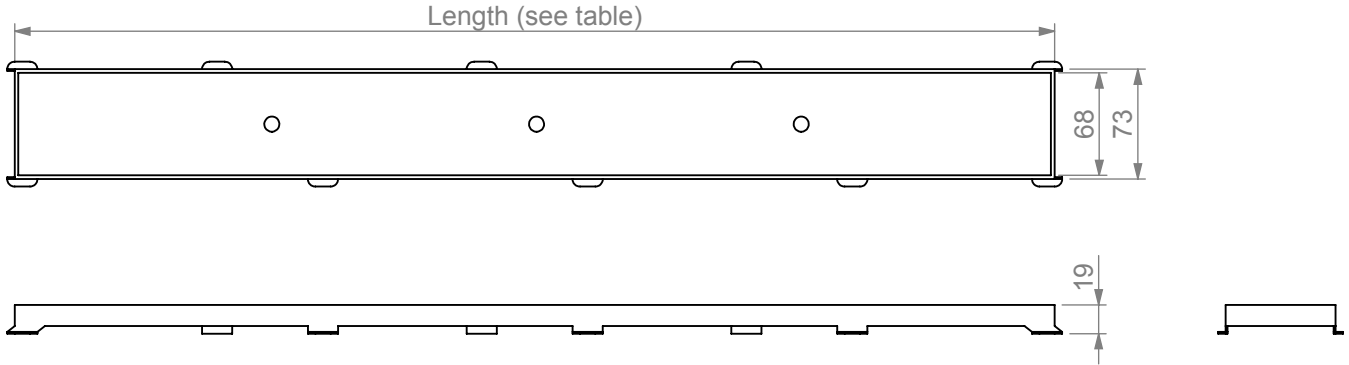
DRG #: SC-T-01

ShowerChannel - Tile

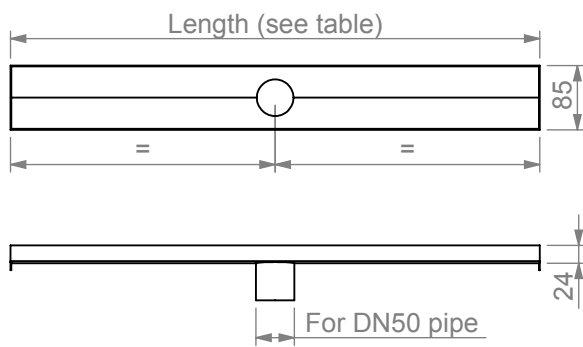
Website: www.quartzbyaco.com.au

QuARTz by ACO

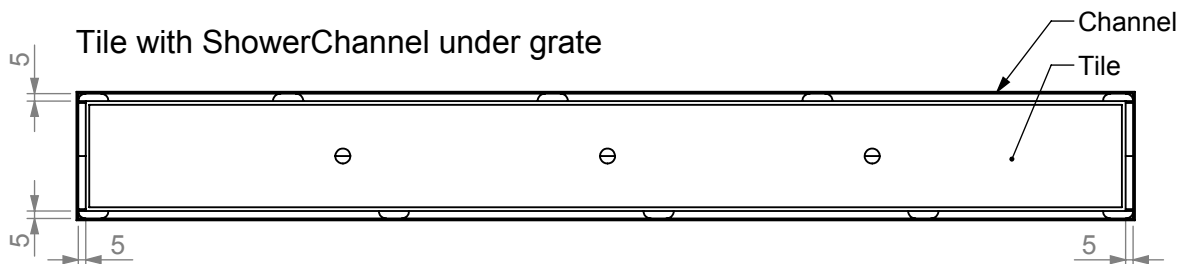
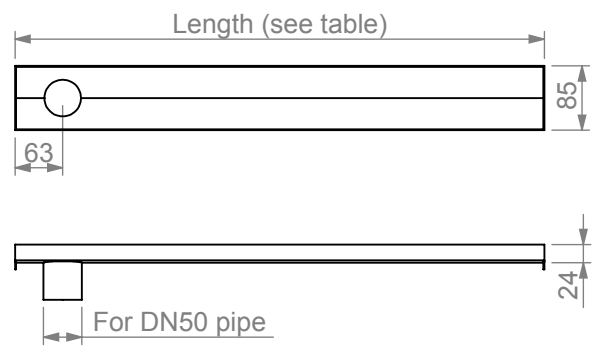
Tile



Centre outlet channel option



End outlet channel option



Length	700	800	900	1000	1200	1400
Channel weight	1.1	1.2	1.4	1.5	1.7	1.9
Grate weight	0.8	0.9	1.0	1.1	1.4	1.8

All dimensions are in millimeters

Specification Clause

The QuARTz by ACO, ShowerChannel complete with Tile channel shall be stainless steel, grade 304 with electropolished surface.

Channel shall be 85mm wide and 24mm deep. The channel outlet is to suit a DN50 pipe. The length, as specified, on designers plans/specifications.

The system shall be manufactured and supplied by ACO Polycrete Pty Ltd and installed in accordance with ACO's guidelines.

Installers must check local plumbing codes and seek professional advice prior to installation.