



QuARTz by ACO Specification Sheet

ACO Polycrete Pty Ltd

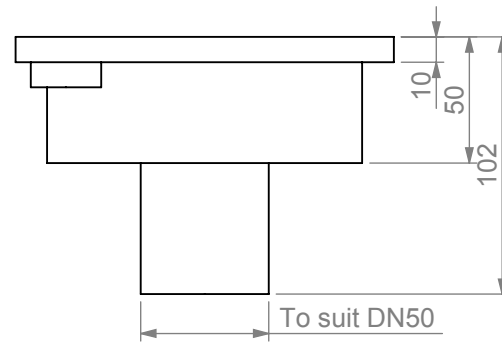
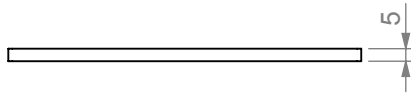
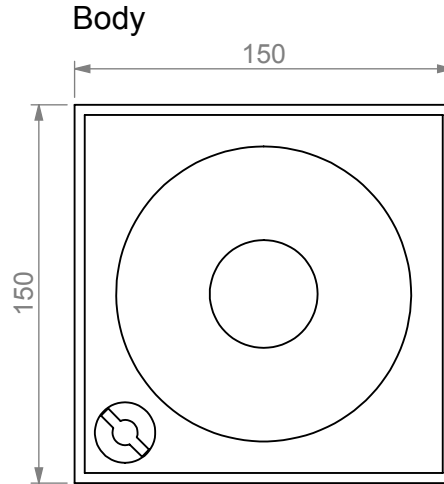
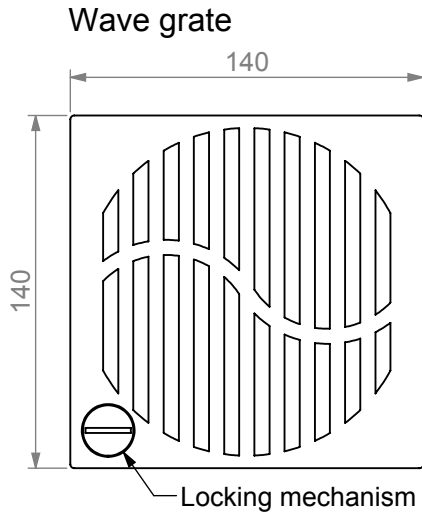
ACN 050 102 942
ABN 65 050 102 942
134 - 140 Old Bathurst Road,
Emu Plains NSW 2750
Tel: +61 2 4747 4000
Fax: +61 2 4747 4040
e: info@quartzbyaco.com.au

DRG #: SP-W-50-01

ShowerPoint - Wave grate

Website: www.quartzbyaco.com.au

QuARTz by ACO



Grate weight (kg)	0.67
Body weight (kg)	0.15

All dimensions are in millimeters

Specification Clause

The QuARTz by ACO, ShowerPoint shall come complete with a stainless steel, grade 304 Wave grate and fitted frame with an electropolished surface finish.

Grate shall be square - 140mm x 140mm and frame 150mm x 150mm. The outlet is to suit a DN50 pipe.

Grates shall be fastened with boltless mechanisms.

The system shall be manufactured and supplied by ACO Polycrete Pty Ltd and installed in accordance with ACO's guidelines.

Installers must check local plumbing codes and seek professional advice prior to installation.